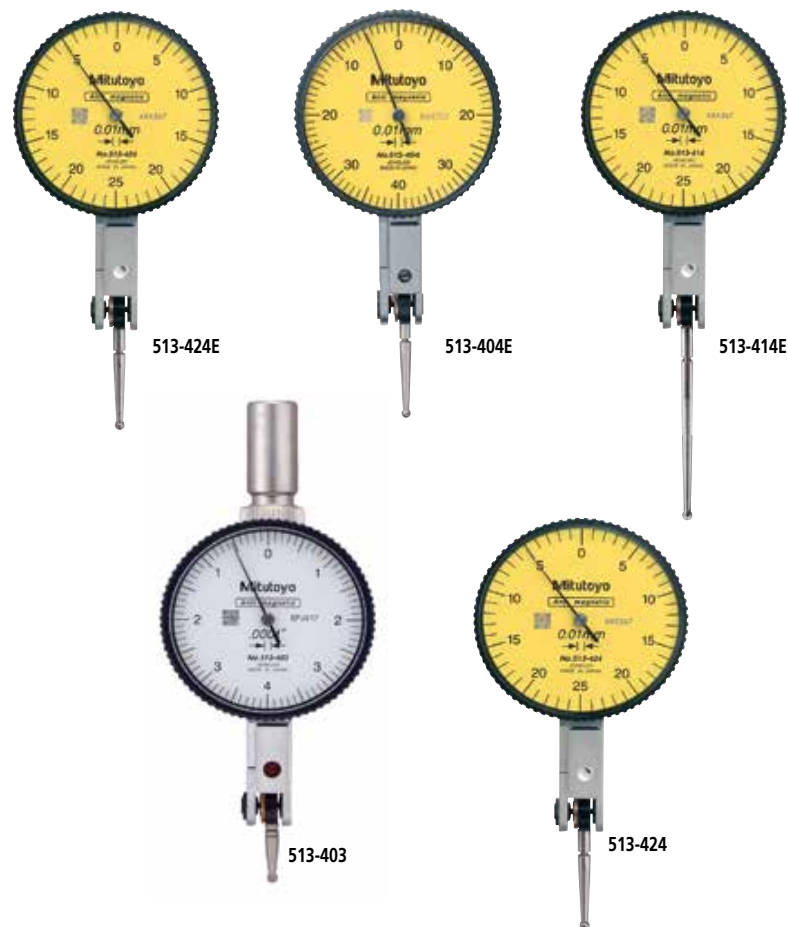


Dial Test Indicators

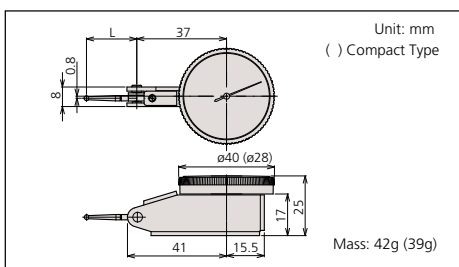
SERIES 513 — Horizontal Type

FEATURES

- Performs easy and accurate measurement of narrow or recessed areas, plus inside and outside diameters that dial indicators cannot access.
- No-clutch structure for automatic reversal of measuring direction.
- Resistant to water and dust thanks to the one-piece bezel and "crystal" design with O-ring.
- The glare-free flat crystal face has a scratch-resistant coating.
- High-sensitivity and quick-response because of jeweled bearings.
- A carbide contact point is provided as standard.



DIMENSIONS AND MASS



Optional Accessories

- : Swivel clamp
- : Holding bar
- : Stem
- : Contact points

Special Set: No. 513-908 (mm)

- 513-404E: Dial test indicator
- 7014: Mini magnetic stand

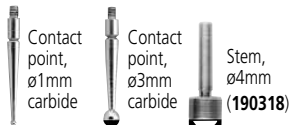
No. 513-907 (inch)

- 513-402: Dial test indicator
- 7014E: Mini magnetic stand

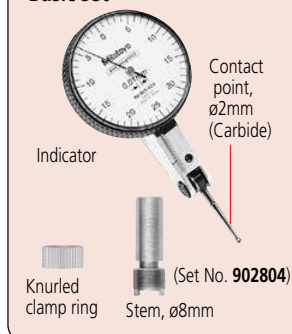


Set Configuration: Metric Test Indicators

Full set

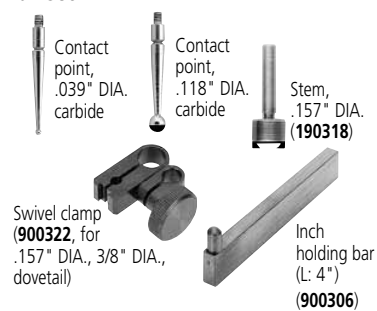


Basic set

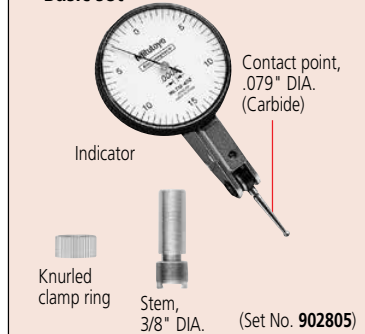


Set Configuration: Inch Test Indicators

Full set



Basic set



Anti-magnet type



Double scale spacing type



Long contact point type



Jeweled bearing type



Compact type



With revolution counter type



513-466E



513-464E



513-463

SPECIFICATIONS

Metric

Graduation	Order No.		Range	Accuracy	Dial reading	Measuring force	L (mm)						
	Basic set	Full set											
0.01mm	513-424E	513-424T	0.5mm	5μm	0-25-0	0.3N or less	22.3	✓	✓	—	✓	—	—
0.01mm	513-414E	513-414T	0.5mm	10μm	0-25-0	0.2N or less	36.8	✓	✓	✓	✓	—	—
0.01mm	513-466E	—	0.5mm	5μm	0-25-0	0.3N or less	22.3	✓	✓	—	✓	✓	—
0.01mm	513-478E*	—	0.5mm	5μm	0-25-0	0.3N or less	22.3	✓	—	—	✓	—	—
0.01mm	513-404E	513-404T	0.8mm	8μm	0-40-0	0.3N or less	20.9	✓	—	—	✓	—	—
0.01mm	513-474E*	—	0.8mm	8μm	0-40-0	0.3N or less	20.9	✓	—	—	✓	—	—
0.01mm	513-464E	—	0.8mm	8μm	0-40-0	0.3N or less	20.9	✓	—	—	✓	✓	—
0.01mm	513-415E	513-415T	1mm	10μm	0-50-0	0.2N or less	44.5	✓	—	✓	✓	—	—
0.01mm	513-477E*	—	1mm	10μm	0-50-0	0.2N or less	44.5	✓	—	✓	✓	—	—
0.01mm	513-426E	—	1.5mm	8μm	0-25-0	0.4N or less	22.3	✓	✓	—	✓	—	✓
0.002mm	513-405E	513-405T	0.2mm	3μm	0-100-0	0.3N or less	14.7	✓	—	—	✓	—	—
0.002mm	513-465E	—	0.2mm	3μm	0-100-0	0.3N or less	14.7	✓	—	—	✓	✓	—
0.01mm	513-475*	—	1mm	10μm	0-50-0	0.2N or less	44.5	✓	—	—	✓	—	—
0.002mm	513-425E	—	0.6mm	6μm	0-100-0	0.4N or less	14.7	✓	—	—	✓	—	✓
0.001mm	513-401E	—	0.14mm	3μm	0-70-0	0.3N or less	12.8	✓	—	—	✓	—	—
0.01mm	513-471E*	—	0.14mm	3μm	0-70-0	0.3N or less	12.8	✓	—	—	✓	—	—

*provided with a 2mm ruby contact point as a substitute for 2mm carbide contact point.

Inch

Graduation	Order No.		Range	Accuracy	Dial reading	Measuring force	L (mm)					
	Basic set	Full set										
.0005"	513-402	513-402T	.03"	±.0005"	0-15-0	0.3N or less	19.9	✓	—	✓	—	—
.0005"	513-472*	—	.03"	±.0005"	0-15-0	0.3N or less	19.9	✓	—	✓	—	—
.0005"	513-412	513-412T	.03"	±.0005"	0-15-0	0.2N or less	33.9	✓	✓	✓	—	—
.0005"	513-479*	—	.03"	±.0005"	0-15-0	0.2N or less	33.9	✓	✓	✓	—	—
.0005"	513-462	—	.03"	±.0005"	0-15-0	0.3N or less	19.9	✓	—	✓	✓	—
.0001"	513-403	513-403T	.008"	±.0001"	0-4-0	0.3N or less	15	✓	—	✓	—	—
.0001"	513-473*	—	.008"	±.0001"	0-4-0	0.3N or less	15	✓	—	✓	—	—
.0001"	513-463	—	.008"	±.0001"	0-4-0	0.3N or less	15	✓	—	✓	✓	—

*provided with a 2mm ruby contact point as a substitute for 2mm carbide contact point.

Metric/inch

Graduation	Order No.		Range	Accuracy	Dial reading	Measuring force	L (mm)				
	Basic set	Full set									
0.002mm, .0001"	513-409	513-409T	0.2mm, .0075"	3μm	0-10-0, 0-38-0	0.3N or less	14.7	✓	✓	—	—

Inch/Metric

Graduation	Order No.		Range	Accuracy	Dial reading	Measuring force	L (mm)				
	Basic set	Full set									
.0005", 0.01mm	513-406	513-406T	.03", 0.7mm	±.0005"	0-15-0, 0-35-0	0.3N or less	19.9	✓	✓	—	—

Mitutoyo