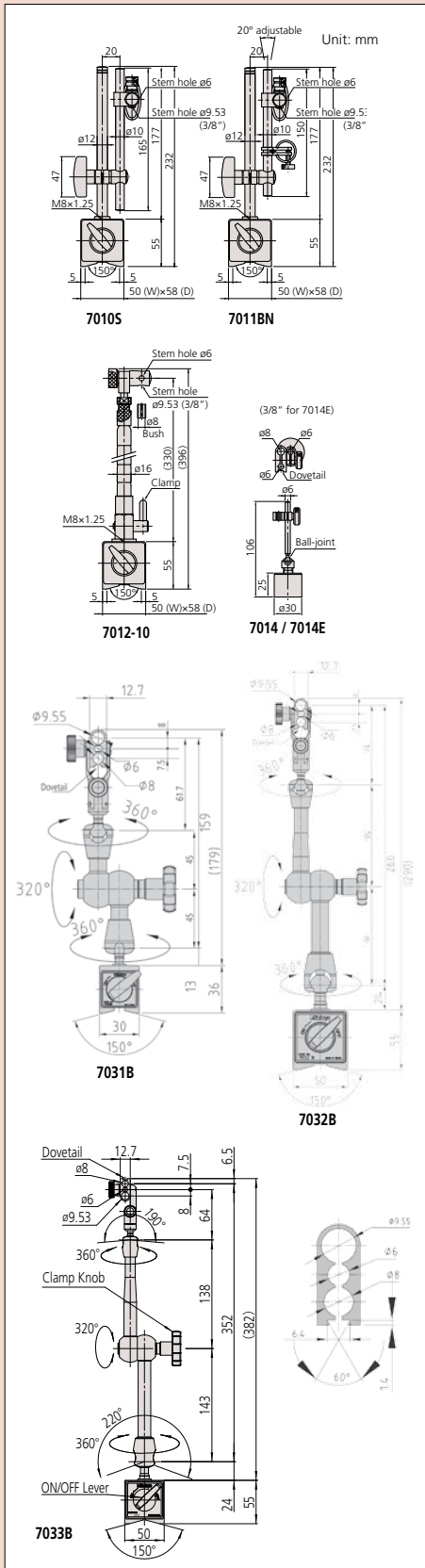


DIMENSIONS

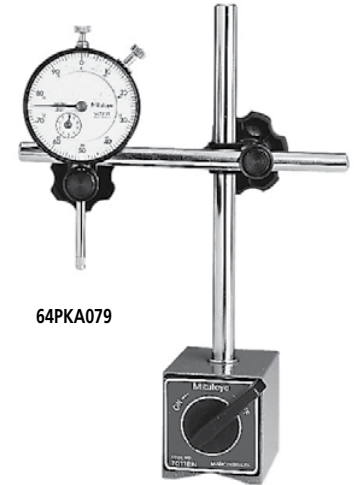


Dial/Test Indicator & Magnetic Stand Sets

SERIES 7



513-907



64PKA079

SPECIFICATIONS

Set No.	Included in set
64PKA078	2804S-10, 7010S
64PKA079	2416S, 7010S
513-907	513-402, 7014E
513-908	513-404E, 7014

*Supplied with collar 02AZC291

Magnetic Stands

SERIES 7

Mitutoyo's Magnetic Stands accept all dial indicators and dial test indicators. The ON-OFF switch offers instant mounting and dismounting without any adverse effect to the indicators or workpiece surface.



7010S

7011BN

7031B

7032B

7033B

7012-10

7014 / 7014E

No magnet force ON/OFF

SPECIFICATIONS

Order No.	Description	Applicable holding stem dia.	Dovetail groove	Remarks
7010S	Magnetic stand	$\phi 6$ mm, $\phi 8$ mm*, $\phi 9.53$ mm (3/8")	—	—
7011BN	Magnetic stand	$\phi 6$ mm, $\phi 8$ mm*, $\phi 9.53$ mm (3/8")	—	With fine adjustment
7011S-10	Magnetic stand	$\phi 4$ mm, $\phi 8$ mm, $\phi 9.53$ mm (3/8")	—	With fine adjustment
7012-10	Magnetic flexi-stand	$\phi 6$ mm, $\phi 8$ mm*, $\phi 9.53$ mm (3/8")	—	For dial test indicator
7014	Mini magnetic stand	$\phi 6$ mm, $\phi 8$ mm	Provided	Without magnet ON/OFF
7014E	Mini magnetic stand	$\phi 6$ mm, $\phi 8$ mm*, $\phi 9.53$ mm (3/8")	Provided	Without magnet ON/OFF
7031B	Universal magnetic stand	$\phi 6$ mm, $\phi 8$ mm, $\phi 9.53$ mm (3/8")	Provided	With mechanical locking system
7032B	Universal magnetic stand	$\phi 6$ mm, $\phi 8$ mm, $\phi 9.53$ mm (3/8")	Provided	With mechanical locking system
7033B	Universal magnetic stand	$\phi 6$ mm, $\phi 8$ mm, $\phi 9.53$ mm (3/8")	Provided	With mechanical locking system

*Supplied with collar 02AZC291

Mitutoyo